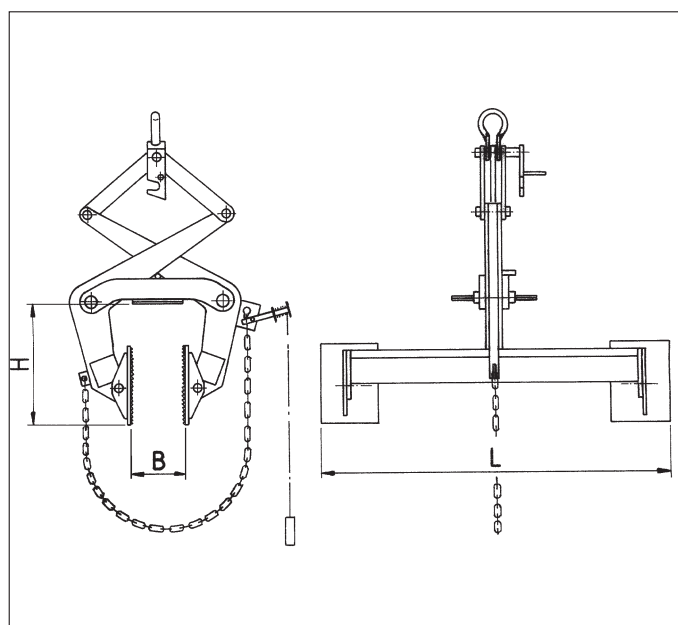


330

Wall Panel Lifting Gear

The galvanized wall panel lifting gear is used for the laying of horizontally positioned AAC wall panels. The profiled clamps ensure a high grip. If the safety chain is applied a transport high above the ground is permitted. The safety chain can be released by a tension rope of 10 m length.

Order No.	Model	Carrying Capacity kg	L mm	Span B mm	H mm	Weight kg
330 010	PIZa 1	675	520	70-230	285	35
330 020	PIZa 2	1.000	660	150-310	330	50
330 040	PIZa 4	1.400	1000	150-310	330	65



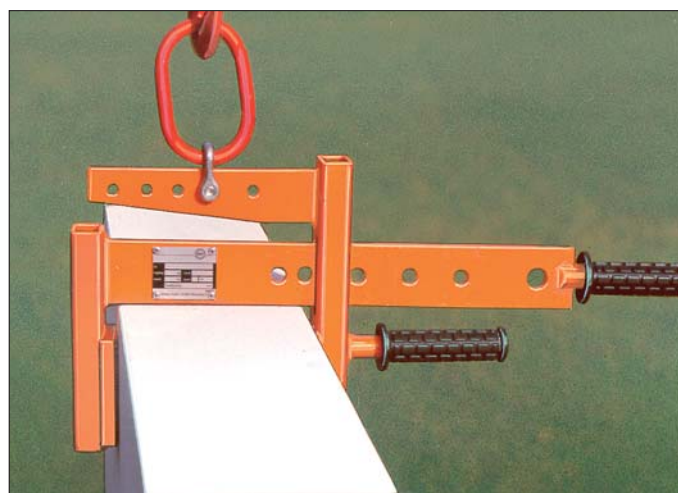
346

Jumbo Block Pincer

The jumbo block pincer is used for the laying of AAC jumbo stones. The steel teeth of the clamps enable a high grip. The working width can be adjusted using the bolt supplied.

Cream-coloured varnish, RAL 9001.

Order No.	Model	Carrying Capacity kg	Span cm	Width mm	Weight kg
346 010	JZ 2,5	250	11,5 / 15 / 17,5 / 20 / 25 / 30 / 36,5	50	7



350

Floor Panel Lifting Gear

Floor panel lifting gear with safety chain.

This lifting gear is used for the laying of reinforced floor and roof panels with profiled sides.

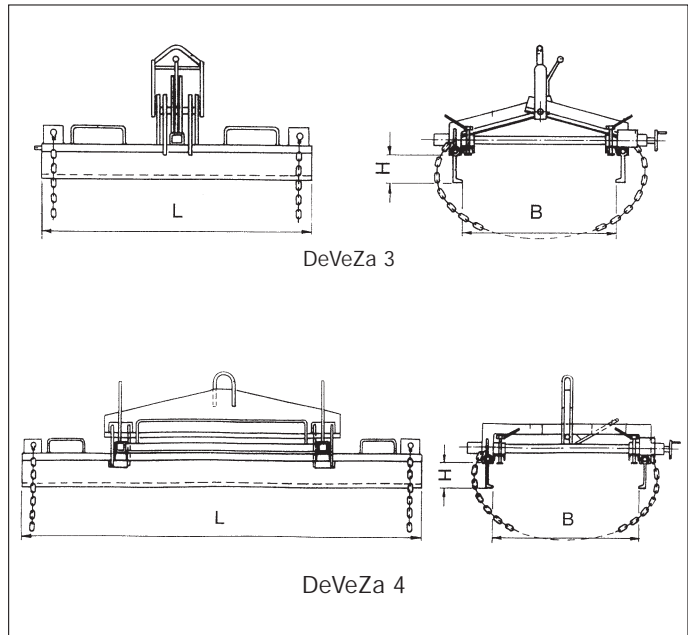
The panels can be laid by one person without any space left in between. Adjustment of the panels is not necessary.

The floor panel lifting gear is delivered with a chain storage and 2 galvanized safety chains which can be continuously fitted. The chains are fixed and as a result cannot be lost.

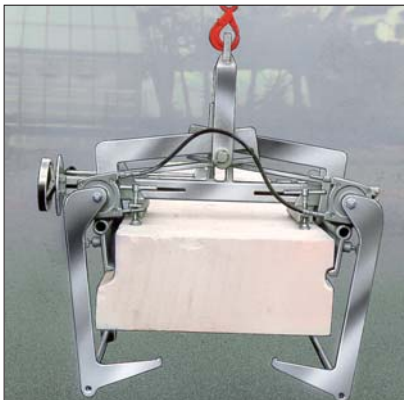
If the safety chains are applied a transport high above the ground is permitted.

Order No.	Model	Carrying Capacity kg	L* mm	Span mm	H** mm	Weight kg
350 030	DeVeZa 3	800	1.000	250-750	100	80
350 040	DeVeZa 4	1.400	2.000	250-750	100	150

* L = Construction length ** H = Profile height (see Fig.)



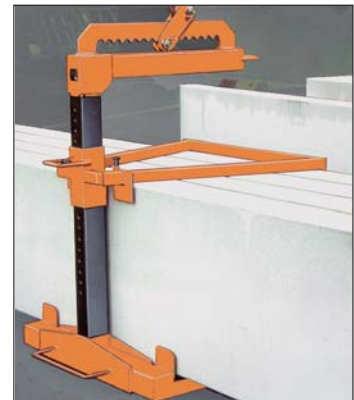
Special Designs



Floor panel lifting gear with catch hook for the transport high above the ground.



Flat grab FG/U with catch hook for the safe erection of wall panels, to be carried out also high above the ground.



Off loading yoke for panels AbBü 3.4 for the transport of vertically positioned panels and packages.